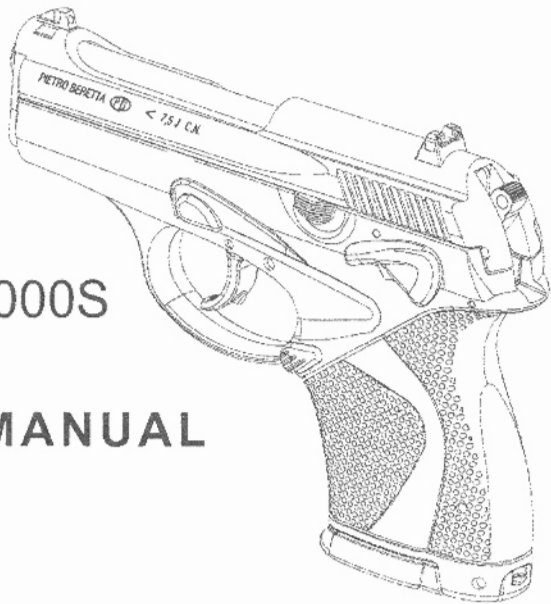


THE NEXT GENERATION OF AIR POWER™



 BERETTA A-9000S

## OPERATION MANUAL

**Model A-9000S**

CO<sub>2</sub> SINGLE/DOUBLE ACTION .177(4.5mm) 22-SHOTS PISTOL

WARNING! **A-9000S** PISTOL  
IS NOT A TOY AND IT DEMANDS SPECIAL CARE  
AND HANDLING

ATTENTION! INAPROPRIATE OR UNSAFE USE  
OF **A-9000S** PISTOL MAY RESULT  
IN SERIOUS INJURY OR EVEN DEATH.  
IT MAY BE DANGEROUS UP TO 300 METRES.

**BEFORE USING THE GUN READ CAREFULLY  
THIS OPERATION MANUAL**

## ATTENTION!

Read the instruction manual carefully. Only load the pistol immediately before you intend to shoot. If you have charged the gun and will not shoot, discharge the pistol as described. Only an unloaded gun with the safety on is really safe. Accidents can happen very quickly! **Warning:** if this gun is carelessly or improperly handled, unintentional discharge could result causing injury, death or damage to property.

Please be very careful when shooting!

Your air pistol should be treated with the same respect as a firearm. Always be aware that the most important safety aspect of a gun is the Shooter. All safety features are mechanical and the Shooter is responsible for its proper use. Do not rely on mechanical safeties, think in advance and avoid situations which may lead to an accident.

Every gun differs in function. You should never shoot a gun you are not familiar with. Read the instruction manual carefully. You should pay close attention to the chapter "Safe handling of the pistol" in this instruction to avoid accidents.

# CONTENTS

Page

1. Technical data . . . . .	4
2. Operation manual . . . . .	6
3. Transportation and storage . . . . .	13
4. Safe handling of the pistol . . . . .	14
5. Maintenance . . . . .	17
6. Warranty . . . . .	19
7. Description of parts . . . . .	20
8. Troubleshooting . . . . .	24

## 1. TECHNICAL DATA

1.1. Weight, kg	0.56
1.2. Total length, mm	169
- height, mm	122
- width, mm	31 (43)
1.3. Caliber,	0.177 (4.5)
1.4. Number of grooves	6
1.5. Form of the threads	Rectangular
1.6. Direction of the grooves	Right
1.7. Thread length, mm	400
1.8. Type of bullets - lead pellets, lead BBs 4.5 mm, max length 7.6 mm	
1.9. Magazine capacity	22
1.10. CO <sub>2</sub> capacity	70 shots minimum
1.11 Muzzle velocity (depending on type of pellets)	110 - 135 m/s
1.12. Firing mechanism	DA/SA
1.13. Trigger pull pressure:	
- DA mode	49N (5.0 kg)
- SA mode	19N (2.0 kg)
1.14. Powered by:	12-gram CO <sub>2</sub> cartridge
1.15 Invironment temperature	+45C to -5C

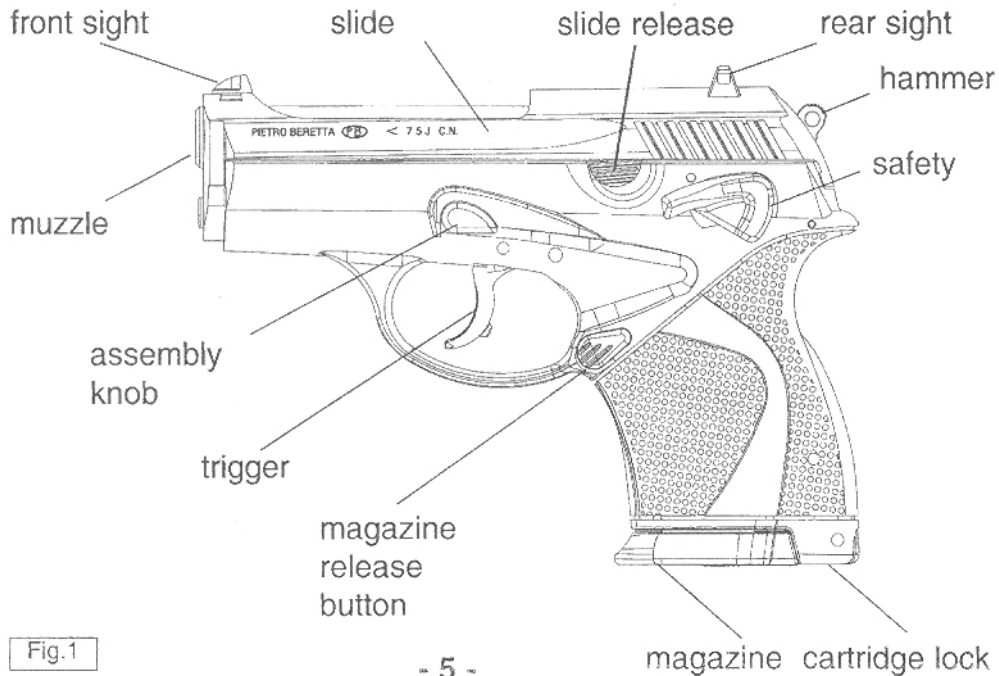


Fig.1

## 2. OPERATION MANUAL - 6 -

### 2.1 MANUAL SAFETY

2.1.1. Manual safety can only be engaged with half-cocked (Fig 5.) or cocked hammer (Fig.6). To put the safety ON, move the safety lever up, into the ON position. (Red dot is covered) Gun will not fire! (Fig.5)

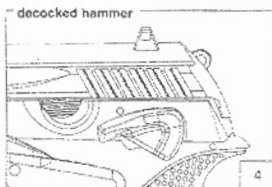
2.1.2. When handling this gun the safety should be ON and the muzzle pointed in a safe direction.

2.1.3. To take the safety OFF, move the safety lever to the lower position (Red dot is visible). Gun is ready to fire! (Fig.4)

2.1.4. When the safety lever is moved all the way upward, past the safety position, it allows hammer lowering. The hammer will drop to the half-cocked position. This lever allows the user to decock the hammer without requiring trigger pull or lowering of the hammer by hand.



**WARNING:** We recommend that safety lever should always be in ON position until you intend to shoot.

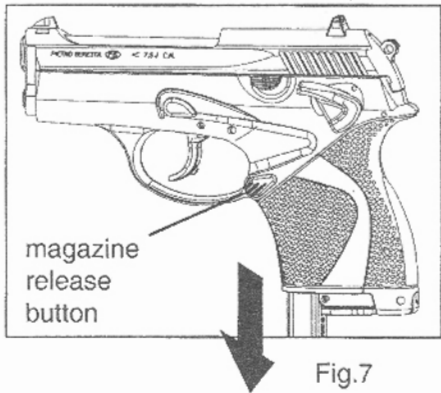


## 2.2. REMOVAL OF THE MAGAZINE AND INSTALLATION OF THE CO<sub>2</sub> CARTRIDGE.

2.2.1. Make sure that the safety lever is turned ON and the hammer is released.

2.2.2. To remove magazine from the pistol:

- push the magazine release button (Fig.7) and pull the magazine down away from the pistol;
- remove the magazine completely from the pistol.



**WARNING:** To remove a CO<sub>2</sub> cartridge, the magazine from the pistol should be removed first!



**Attention!**

CO<sub>2</sub> cartridge should only be installed with magazine removed and Safety ON!

**CO<sub>2</sub> CARTRIDGE INSTALLATION.**

2.2.3. To install a new cartridge in the pistol:

- open the cover downwards (Fig.8);
- untighten the ring counter clockwise (Fig.8);
- push the cramp lock sideways and pull simultaneously the cover to open the cartridge cramp (Fig.9);
- insert the CO<sub>2</sub> bulb (Fig.10) and close the cramp in reverse order. Tighten the ring for positioning the needle on the bulb top before closing the cover. During cover closing the needle pierces the bulb.

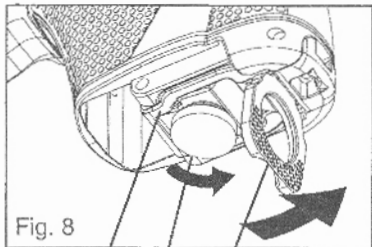


Fig. 8  
cartridge cramp    cramp cover  
tightening ring

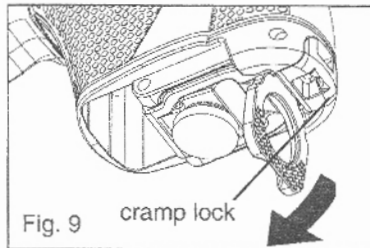
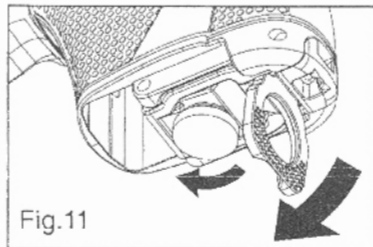
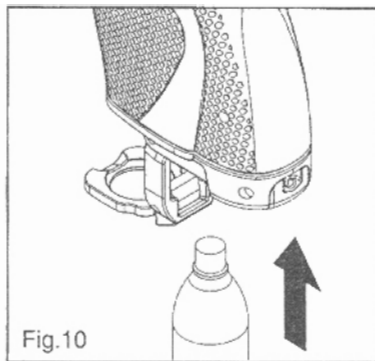


Fig. 9    cramp lock

- place a new cartridge inside the grip.
- Sealed (narrow) end of cartridge goes first (Fig.10);
- replace the cramp into place until it is set tight (a click is heard);
  - tighten up the ring clockwise (Fig.11);
  - close the cover forcing it to make a puncture in the cartridge (Fig.11).

**NOTE!** Tightening the ring does not puncture the CO<sub>2</sub> bulb, but simply firmly positions it against the valve. The bulb is punctured with the last forceful closing of the cover!



## 2.3 LOADING THE PISTOL



**WARNING:** Use only .177 caliber (4.5 mm) lead pellets with a maximum length of 7.6 mm. Be careful with the choice of ammunition: too loose pellets in the containers may lead to blank firing, too tight ammunition may lead to mechanism getting stuck. Make sure that the pellets are comfortably seated in the containers: not too loose or too tight.

2.3.1 Move the empty container into position in front of the two oval openings, located under engraved "arrow", following the direction of the "arrow", with the help of a pusher (Fig. 12);

- through the oval opening successively load any empty container in the magazine with only one pellet in each container up to 22 pellets all together in any sequence and alternation (for best firing results it's recommended to load magazine with the same type of pellets). In doing so strictly observe correct positioning of pellets in the containers, as shown in Fig.13. Place the loaded magazine back in the pistol until a click of the magazine pawl is heard.

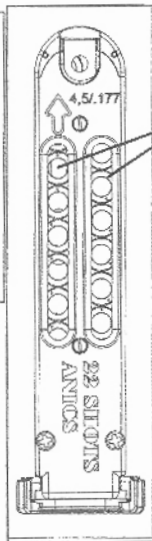


Fig.12  
oval openings  
for loading

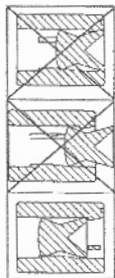


Fig.13



**WARNING: Do not put your hand over the muzzle! Do not put your finger on the trigger! Make sure that muzzle is pointed in a safe direction! Never aim the pistol at people or animals!**

2.3.3. To prepare the pistol for firing it is necessary to release the safety lock by turning the lever down so that the red dot is visible!

2.3.4. To remove an empty or a loaded cartridge, follow the procedure described in item 2.2.3.



**WARNING: If the removed cartridge is not fully used up it can be freezing cold.**

#### **2.4. UNLOADING THE PISTOL**

- Make sure that the slide is not retracted, otherwise magazine cannot be removed;
- Turn the safety lever ON (red dot not visible);
- Remove the magazine from the pistol;
- Move the containers following the "arrow" and align them with an oval opening (Fig. 12);
- Push the pellets out of the magazine with the longer end of the pusher through the opening on the other side of the magazine;
- Make sure by visual inspection that there are no pellets left in the containers.



**WARNING: Never shoot with a previously used pellet. It could damage the magazine and barrel!**

## 2.5. SIGHT ADJUSTMENT

Aim at a safe target and line-up the front sight with the middle of the rear sight. (Fig 14). Fire several test shots to determine if your sight needs to be adjusted.

Standard rear sight adjustment:

- if your pistol shoots to the LEFT , move the rear sight to the right.
- if your pistol shoots to the RIGHT, move the rear sight to the left.

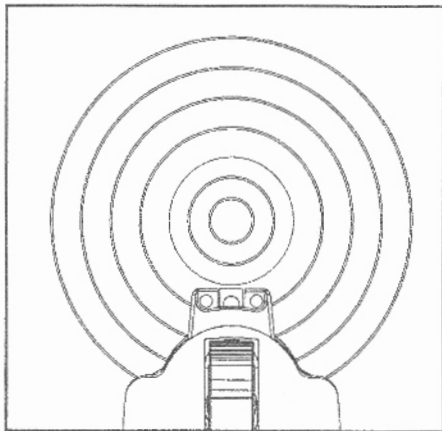


Fig.14

**Beretta A-9000S pistol can be used to shoot in single or double action mode. Slide does not recoil with each shot to avoid unnecessary waste of CO<sub>2</sub> cartridge energy. The hammer may also be cocked by pulling the slide and releasing it by pushing the slide release button. (Fig. 1).**

**When slide is retracted magazine cannot be removed!**

#### **TRANSPORTATION AND STORAGE**

When being transported the pistol must be protected against climatic effects and mechanical damages. Before transportation to a maintenance shop for repair, the pistol should be accordingly packed. Transportation packing should deny any chance of being moved inside and should protect the pistol against mechanical damage, dust and moisture.

The pistol should be kept in a dry warm place without any acidic, alkaline or other aggressive impurities in the air at the temperature between the range of -5 to 45 C and with relative humidity not more than 80 %.

### 3. SAFE HANDLING OF THE PISTOL

It is your own responsibility to familiarise yourself with safe and correct handling of your pistol.

3.1. When all the rules of this instruction manual and safe handling procedures are observed, the pistol is not dangerous to use

3.2. Possible hazards are as follows:

- discharging pellet after a shot is made;
- CO<sub>2</sub> gas escaping through the muzzle after a shot;
- ricochet of the pellet;
- violation of safety precautions.

3.3 Main requirements and measures for safe handling of the pistol.

3.3.1. Shooting should be carried out at open sites with no people at close firing distances or in shooting galleries.

3.3.2. The pistol mechanism should function properly.

3.3.3. Always store your gun unloaded.

Put the safety ON (red dot not visible). Remove the magazine and check to insure that no pellet remains in the barrel. Remove the CO<sub>2</sub> cartridge.

- Store your pistol in a separate location from the pellets and CO<sub>2</sub> cartridges.
- 3.3.4. Always handle the pistol as if it is loaded.
- 3.3.5. After shooting the pistol should be unloaded. Remove the magazine, put the safety ON.
- 3.3.6. The safety unit of the pistol should be released only at the line of fire just before shooting.
- 3.3.7. Do not aim at people or animals. Never shot at a hard surface or water.
- 3.3.8. Use only the recommended pellets and CO<sub>2</sub> cartridges. Never shoot with a used pellet. It could damage the magazine and barrel.
- 3.3.9. If the pistol is dropped it is necessary to remove the magazine immediately and put the Safety ON. Check the pistol for possible damages. If there are any damage in form of cracks, small fractures, visible deformation of the body it means that the pistol became dangerous for further usage: seek immediate advice from your local service center.
- 3.3.10. This pistol has been designed and manufactured for optimum function and efficiency. Do not make any modifications as they could lead to malfunctions or unsafe using conditions.



3.3.11. You must be 18 years old to purchase this air pistol.

3.3.12. Always store your pistol in a secure location out of the reach of children or unskilled users.

3.3.12. Always store your pistol in a secure location out of the reach of children or unskilled users.

3.3.13. When transferring this pistol make sure to include this instruction manual.

3.3.14. Keep face and hands in a safe distance and use caution when removing the CO<sub>2</sub> cartridge: escaping CO<sub>2</sub> gas can cause frostbite.

3.3.15. Remember that this type of pistol has a firing range up to 300 meters. Maintain caution within this distance.



**WARNING!!! CO<sub>2</sub> cartridges can explode in temperatures above +45°C (122°F). Do not dispose of cartridges in a fire. Do not store cartridges in temperature above +45°C (122°F). Do not use empty CO<sub>2</sub> cartridges for any other purpose. Do not leave CO<sub>2</sub> cartridges in automobile in direct sunlight.**

## 4. MAINTENANCE



**WARNING!!! Do not attempt to clean your pistol without first having put the safety ON, removing the magazine and CO<sub>2</sub> cartridge!**

### 4.1. Incomplete disassembly:

- Remove the magazine;
  - Move left and right assembly knobs (Fig.1) downwards;
  - Cock the hammer and separate the slide and the frame of the pistol by placing the housing into the extreme rear position and by lifting its rear part: with new pistols extra force should be applied since the mechanism is newly assembled and parts maybe not yet close-fitting;
  - Remove the rod and the recoil spring and clean and oil the pistol;
- Assembly of the pistol should be made in reverse sequence.

4.2. The pistol should be kept away from water, dust and other hazardous conditions.

4.3. Should the pistol get wet, it is necessary to make incomplete disassembly of the pistol and to leave the pistol in a warm place for a few hours. The temperature should not be higher than 45 C. Further on, lubricate the pistol mechanism with gun oil in the following places (Fig. 15):

- after each shooting it is recommended with the help of ramrod and rags to clean and lubricate the barrel bore with a gun oil;

- lubricate places of interaction of the barrel to the buttress by placing 2-3 drops of oil;

- and in the places indicated on Fig. 15.

4.4. Regular oiling should be done after 500 shots but not less than once every six months following the procedure described in item 4.5 of this section.

4.5. If storing the pistol without use for more than three months, we recommend removing the CO<sub>2</sub> cartridge following the procedure 2.3.8. of this manual.

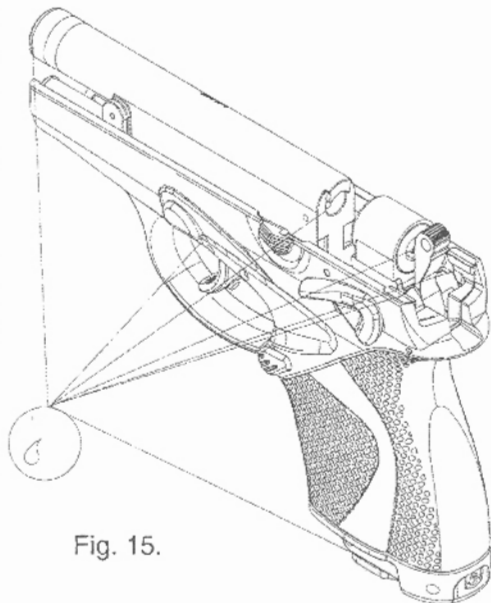


Fig. 15.

## 6. WARRANTY

6.1. This pistol is guaranteed to be free of manufacturer's defects for one year from the purchase date or for 2000 shots fired from the pistol whichever comes first, provided that the customer has observed operation manual, rules of transportation and storage and manufacturer's seals (disassembly control label) are not broken.

6.2. The pistol service life is 5000 shots or ten years from the purchase date, but not more than 12 years from the production date.

Address of authorized service repair and maintenance shops can be taken from the distributor.

6.3. Warranty of the pistols is not valid for cartridges.

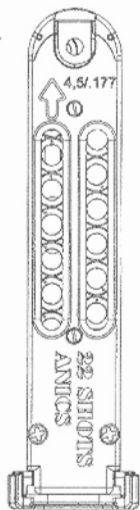
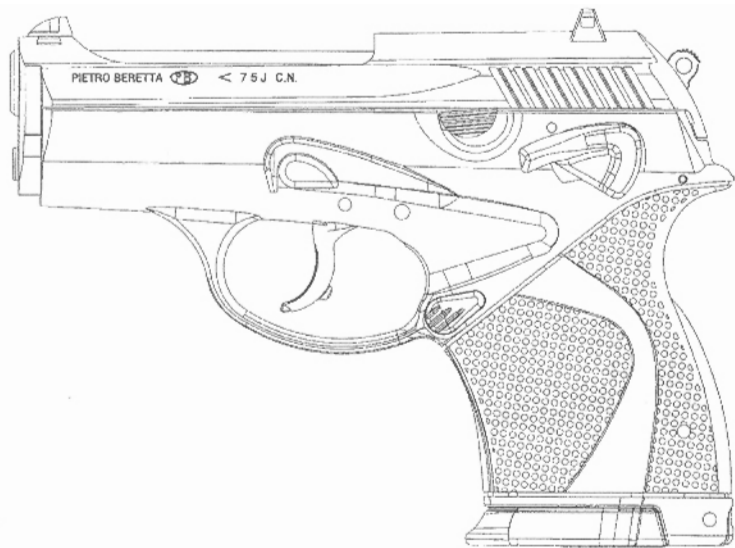
**NOTE: Manufacturer has the right to change design of the pistol without any notification to the customer.**

## 7. DESCRIPTION OF PARTS Figure 2

Part	Name		
		23. 141-00-23	Left spring
		24. 141-00-24	Right spring
1. 141-00-1	Nameplate	25. 141-00-25	Little pin
2. 141-00-2	Brush	26. 141-00-26	Back guide
3. 141-00-3	Stopper	27. 141-00-27	Back guide pin
4. 141-00-4	Buttress front pin	28. 141-00-28	Sear spring lock
5. 141-00-5	Trigger axis	29. 141-00-30	Sear right
6. 141-00-6	Screw	30. 141-00-31	Ramp
7. 141-00-7	Slide catch	31. 141-00-34	Trigger bar plunger
8. 141-00-8	Slide catch spring	32. 141-00-35	Disassembling latch
9. 141-00-9	Left safety	33. 141-06-1	Cramp
10. 141-00-10	Right safety	34. 141-06-2	Cover
11. 141-00-11	Safety pin	35. 141-06-3	Cover axis
12. 141-00-12	Plunger safety spring	36. 141-06-4	Seal
13. 141-00-13	Safety plunger	37. 141-01-1	Frame
14. 141-00-14	Hammer	38. 141-01-2	Left knob
15. 141-00-15	Hammer axis	39. 141-01-3	Right knob
16. 141-00-16	Rest	40. 141-01-4	Magazine catch
17. 141-00-17	Rest spring	41. 141-01-5	Catch spring
18. 141-00-18	Trigger bar	42. 141-01-6	Lock
19. 141-00-19	Trigger bar spring	43. 141-01-7	Lock pin
20. 141-00-20	Pin	44. 121-00-39	Lever spring
21. 141-00-21	Great pin	45. 141-08-1	Rod
22. 141-00-22	Sear spring	46. 141-08-2	Rod spring

47. 141-08-3	Seal rod	73. 141-04-3	Valve spring
48. 141-02-1	Buttress	74. 141-04-4	Valve ring
49. 141-02-2	Barrel	75. 141-04-5	Washer
50. 141-02-3	Barrel pin	76. 141-04-6	Needle
51. 141-02-4	Spring trigger	77. 141-04-7	Seal
52. 141-02-5	Lever	78. 141-04-8	Fitting
53. 141-02-6	Limitator axis	79. 141-04-9	Valve seal
54. 141-02-7	Wheel	80. 754175.002	Seal ring
55. 141-02-8	Wheel axis	81. 141-04-11	Silphon
56. 141-02-9	Lever axis	82. 141-05-1	Magazine case
57. 141-02-10	Pin buttress	83. 141-05-2	Magazine cover
58. 141-02-11	Pin finger s spring	84. 141-05-3	Cap
59. 121-01-3	Limitator	85. 141-05-4	Magazine bottom
60. 121-01-4	Finger	86. 141-05-5	Knob
61. 141-07-1	Slide	87. 141-05-6	Rusk
61. 141-07-1	Slide	88. 141-05-7	Screw M1.6
62. 141-07-2	Front sight blade	89. 141-05-8	Pin cap
63. 141-07-4	Rear sight	90. 141-05-9	Nut M1.6
64. 1476-84	Screw	91. 10621-80	Screw M2
65. 141-00-33	Beam	92. 141-05-12	Plate
66. 141-09-1	Beam screw	93. 121-06-9	Pin
67. 141-09-2	Beam ring	94. 121-06-4	Roller
68. 141-03 `	Trigger SB	95. 121-10-02	Rod
70. 753552.001	Sear spring	96. 121-10-01	Cone
71. 141-04-1	Case	97. 121-10SB	Pusher
72. 141-04-2	Valve		







## TROUBLESHOOTING

Problems	Possible reasons	Solution
A. The trigger does not pull.	<ol style="list-style-type: none"><li>1. Pellets are not seated correctly in rollers.</li><li>2. Pellet is stuck inside the barrel.</li></ol>	<ol style="list-style-type: none"><li>1. Remove the magazine and seat the pellets correctly.</li><li>2. Push the pellet through the nozzle back into roller with a help of a piece of wire.</li></ol>
B. Pellet does not discharge.	Empty CO <sub>2</sub> cartridge	Replace the cartridge.
C. Pistol does not shoot.	<ol style="list-style-type: none"><li>1. Safety is ON.</li><li>2. Deformed pellet.</li><li>3. Bad CO<sub>2</sub> cartridge.</li><li>4. Pellets are not seated correctly in rollers.</li><li>5. Slide is not in right position.</li></ol>	<ol style="list-style-type: none"><li>1. Turn Safety OFF.</li><li>2. Use only good quality pellets.</li><li>3. Replace the cartridge.</li><li>4. Remove the magazine and seat the pellets correctly.</li><li>5. Retrack the slide and realese.</li></ol>
D. Low muzzle velocity.	<ol style="list-style-type: none"><li>1. Empty CO<sub>2</sub> cartridge.</li><li>2. Dirty barrel.</li><li>3. Deformed pellets or pellets are not seated correctly in rollers.</li></ol>	<ol style="list-style-type: none"><li>1. Replace the cartridge.</li><li>2. Clean the barrel.</li><li>3. Use only good quality pellets.</li></ol>
E. Poor grouping.	Dirty barrel.	Remove the magazine and seat the pellets correctly.  Clean the barrel.

**MADE IN RUSSIA BY JSC ANICS GROUP  
TRADEMARKS LICENSED BY BERETTA - ITALY**



**Anics Group**

**7, Vorontsovo Pole st.,  
Moscow, Russia 105062**

**Phone: + 7 (095) 917 7405; 928 9763**

**Fax: + 7 (095) 917 1766**

**[www.anics.com](http://www.anics.com)**

**[anics@anics.com](mailto:anics@anics.com)**