
MP-513M



AIR RIFLE INSTRUCTION MANUAL

European American Armory Corp.
3855 North U.S. Highway One
Cocoa, Florida 32926
(321) 639-4842
www.eaacorp.com
E-mail: eaacorp@bv.net

© Copyright EAA Corp. 07/02

EAA MP-513M SERIES AIR RIFLE INSTRUCTION MANUAL

Record the serial number of your Air Gun on this booklet: _____

CAUTION: Air Rifles are not toys. This Air Rifle is recommended for only adult use. Misuse or careless use may cause serious injury or death. Dangerous within 500 yards.

Do NOT Cock or Handle your Air Rifle BEFORE you read and understand the instructions and warnings contained in this manual.

10 LIFE SAVING WARNINGS:

1. Thinking the air rifle is unloaded does not mean it is unloaded. If a pellet is in the chamber and the rifle has been cocked, this rifle can be fired. Always treat your air rifle as if it is loaded.
2. Always point the muzzle of any air rifle in a safe direction whether the rifle is loaded or unloaded.
3. No hands over the muzzle / No Way / No Time / No How.
4. Only use lead pellets manufactured to industry standards. If the pellet doesn't feed into the chamber, don't force it - there is a reason - determine the reason before continuing.
5. Never alter your air rifle or allow anyone not connected with or authorized to represent the manufacturer to modify, change, or adjust any of the working parts of your air rifle.
6. Learn to regularly clean and inspect your air rifle.
7. Wear eye protection whenever you shoot your rifle or when around others using air rifles. You only get one set of eyes.
8. This air rifle is extremely powerful and is not designed for the beginner. This class of air rifle is intended for use by experienced adult shooters.
9. Your air rifle cannot think. You must be alert and thoughtful at all times to insure your safety and the safety of the people and property near you... No Drugs... No Drinking... No Horse Play... Never shoot a pellet at water or a hard surface...

SAFETIES:

Your rifle is equipped with three special safety features A) Anti-Back Lash (a ratchet mechanism that is engaged during cocking so the barrel is prevented from closing until fully cocked) B) Anti-Return (Prevents barrel from uncontrolled closure, if trigger is pulled when the gun is partially cocked) C) Manual hammer that must be moved to it's rear position and locked before the gun will fire, even if the rifle is cocked.

EXTERNAL CONTROL PARTS



1. External Hammer located on the top and the back of the receiver. The hammer is moved rearward manually and must be locked in the rear position for the rifle to fire (Fig 1). The hammer hits a spring loaded firing mechanism and thus the air is released to expel the pellet. Warning do not move the hammer to the rearward position until you are ready to fire the air rifle. (Never touch the hammer while cocking the rifle, in reality the hammer is like a safety, if it is not moved to the rearward position the gun will not fire. The hammer does not replace safe rifle handling). The hammer may be lowered manually by putting your thumb on the hammer and holding the hammer to the rear and then slowly pulling the trigger so as to release the hammer (Fig 1a). With the hammer released and your thumb on the hammer you may gently lower the hammer to it's resting place.
2. Trigger located in center of the trigger guard when pulled to the rear releases hammer that falls and hits firing mechanism.
3. The stock of your air rifle is one piece and is made from wood. A loose stock may cause poor accuracy. Do not over tighten the stock screw. Make sure that the stock is tight to the receiver of the air rifle.
4. The barrel of your air rifle is made of ordnance steel and has grooved rifling. Never put the barrel in a position where it could be bent or damaged. When cocking the rifle, make sure that you do not force the barrel down or over cock the rifle in such a way that you may bend the barrel. A bent barrel will lead to accuracy problems or could even lead to a pellet being stuck in the barrel. After shooting, always clean the barrel with a light oil.
5. The sights on your air rifle are designed for accuracy. The front sight is plastic with a hood and uses different inserts to change the sight picture. The rear sight is all metal with click micrometer adjustment for windage and elevation and aperture. Your air rifle also has an 11mm scope rail on top of the gas piston assembly. To change the front sight inserts, loosen the retaining sleeve by turning the knurled ring at the rear of the sight hood counter-clockwise.

Caution: Never shoot a spring-piston air rifle without a lead pellet! Firing the air rifle without a pellet allows the piston/cylinder to slam against the front of the air compression chamber. The resistance of the pellet creates a cushion of air for the piston. Never fire damaged or used pellets.

Caution: Use only factory new lead air rifle pellets. Use only the correct size pellets. Do not use steel shot or darts which may damage the rifled bore and which cause greater re-bounce and ricochet.

HEALTH WARNING

This air rifle fires lead pellets. Lead and lead compounds are known to the State of California to cause cancer, birth defects and reproductive toxicity. Discharging, handling or cleaning an air rifle may result in lead exposure. Have adequate ventilation at all times. Do not put lead pellets in your mouth. Wash hands thoroughly after exposure.

GENERAL INFORMATION

This is a spring-piston air rifle. It is powered by a powerful spring in the receiver which acts as a piston compressing air in a chamber located behind the breech. The air is not compressed until the air rifle is fired. Cocking the air rifle compresses the spring piston and should only be done prior to firing. Avoid leaving the spring-piston under full compression for extended periods.

SPECIFICATIONS:	MP-513M
CALIBER	.177 INCHES
BARREL LENGTH	18.5" INCHES
OVERALL LENGTH	46.5" INCHES
WEIGHT	6.94 POUNDS

OPENING AND COCKING (Depressing spring for piston) YOUR AIR RIFLE

Grasp the rifle by the pistol grip or middle forearm with your dominate hand. Keep your fingers off the trigger and away from the breech. With the barrel pointing upwards, push the front of the barrel down so as to break open the action (Fig. 1b). Now push the barrel completely down so as to complete the cocking action (you should feel the barrel offer strong resistance at the end of the cocking action) (Fig.2). Keep your fingers away from the trigger and breech at all times when cocking the air rifle. Never use excessive force when cocking the air rifle.



LOADING YOUR AIR RIFLE

With the barrel down in the cocked position and the hammer in the rest or down position, you may now load the rifle. Keep one hand on the barrel to restrain the barrel and place a pellet into the chamber (Fig4). Make sure the pellet skirt is flush with the breech face. If the pellet is not fully seated, it will be deformed when the rifle is closed and will not be accurate when shot. (Use a pellet seater to seat pellet into pellet chamber for best accuracy)



CLOSING YOUR AIR RIFLE

To close the rifle, swing the barrel up until it snaps closed (Fig5). Do not force the barrel into the closed position or swing it violently. Never slam the barrel shut. Once the barrel is closed, the rifle is ready to fire.



DO NOT TRY AND UNCOCK YOUR AIR RIFLE

Once your air rifle is cocked there is pressure on the piston supplied by the depressed spring. Never store the gun with the mechanism cocked (spring depressed). You must fire the air rifle to relieve the pressure on the spring. Make sure the gun is pointed in a safe direction and that you have a pellet in the chamber. Never fire the gun without a pellet or you may damage the airgun. Simply: If the air rifle is cocked you must fire the rifle to uncock the rifle.

Warning: Never try and fire the rifle with the breach open.

FIRING YOUR AIR RIFLE

With the gun loaded as instructed above and the hammer in the down position. Point your Air gun at the target you wish to hit. Please read and understand all safety warning before you fire this or any air gun.

Move hammer to the rearward position and fire the loaded air gun at the target you wish to hit. Please read and understand all warnings and this instruction before you load and fire your air gun.

**WARNINGS -- READING THESE SAFETY RULES WILL
SAVE YOUR LIFE OR THE LIFE OF SOMEONE ELSE**

**NOTE: IT IS A VIOLATION OF FEDERAL LAW TO SHIP
A LOADED WEAPON.**

- Learn how to handle, load, unload, operate, fire and care for your air rifle.
- NEVER PLAY with your air rifle. It is a potentially dangerous weapon that can cause serious personal injury or death.
- Always keep the air rifle pointed in a safe direction. NEVER point any weapon (loaded or unloaded) at any person or anything you do not intend to shoot.
- Always keep your air rifle unloaded until ready to fire and make sure that it is unloaded before cleaning.
- Keep your finger OFF the trigger until you are actually aiming at the target and ready to shoot.
- Never leave a air rifle unattended or where it could fall and fire.
- If an air rifle is hit sharply or dropped, damage to the internal precision mechanism may result and consequently an accidental firing.
- Store air rifles and pellets separately beyond the reach of children. Make sure the air rifle and lead pellets are properly locked and secured so children and un-trained individuals will be denied access.
- Test your air rifle's operation and safeties ONLY at a shooting location while the rifle barrel is pointed in a safe direction.
- Know your target and what is beyond. Ask yourself what your pellet will hit if it misses the target or passes through the intended target. Remember, a fired pellet can travel over 400 yards (including a ricochet).
- Never pull an air rifle toward you by the muzzle. Don't climb a tree, cross a ditch or fence with a loaded air rifle.
- Do NOT leave your air rifle cocked for long periods of time or store it cocked.
- Always empty air rifles before entering a house, car, truck, boat, RV, camp or any building.
- When receiving a air rifle, always open the action and make sure it is unloaded. NEVER accept anyone's word that an air rifle is "unloaded" or "empty". You should also inspect it by passing a cleaning rod through the bore to make sur it is clear.
- Avoid exposure to lead by firing where there is adequate ventilation. After cleaning your air rifle and/or handling lead pellets, wash your hands.

- Keep air rifles unloaded when not actually in use. Load the air rifle only when preparing to fire.
- Never fire a pellet to clear a barrel.
- ALWAYS WEAR protective shooting glasses when firing air rifles.
- Never drop your air rifle. If you do drop it, unload it and check it for proper function before using it again.
- Don't alter or modify your air rifle.
- Do not remove any internal safety or safety device on the air rifle. Safety mechanisms are designed to protect you from injury or death.
- Do maintain and keep your air rifle clean. Keep in a dry place away from other metals and water. If your air rifle shows sign of corrosion or improper operation, have it serviced by a competent gunsmith.
- Keep the muzzle pointed in a safe direction when loading and unloading your air rifle. Never point the muzzle at any person or any animal.
- Never shoot at hard flat surfaces or water....bullets ricochet.
- Never let water, snow, mud or other material enter the barrel. Keep the barrel free of any obstruction.
- Use only the correct size lead pellets for your air rifle. Do NOT use steel shot or darts.
- Teach children NOT to touch an air rifle or pellets.
- Remember an air rifle has the capability of taking your life or the life of someone else. Be careful with your air rifle -- an accident is almost always the result of not following basic safety rules.
- WRITE US concerning any items or circumstances which you don't understand and which might relate to your safety and the operation of your air rifle.

CARE AND CLEANING

Caution: Make sure the air rifle is unloaded before cleaning (Follow uncocking instructions to insure air rifle is not cocked and loaded)

Caution: In lubricating the air compression chamber, use only a special lubricant with a high flash point designed specifically for use inside of an air compression chamber

- (A) To lubricate the air compression chamber and air compression seal, follow cocking instructions and cock the air rifle. Put a few drops of special light oil into the vent hole that leads into the compression chamber. Now cock and uncock the rifle in several different angles so the oil spreads around the piston chamber. Do not over oil (no more than 3 or 4 drops on each lubrication). The air rifle chamber should be oiled every 500 pellets.
- (B) In order to lubricate the mainspring, you must first remove the stock. Turn the action over and apply 6 to 10 drops of a light oil directly onto the spring. Reattach the stock and cock and uncock in different positions so as to spread the oil around the spring. The main spring should be oiled every 3,000 to 5,000 pellets or every six months.
- (C) The cocking lever linkage and barrel pivot points should be very lightly oiled every six months.

Caution: It is better to under lubricate than to over lubricate. Over lubrication will void your warranty. Do not use firearm cleaners or low flash point oils in the air compression chamber and near the vent and breech seal as this will cause dieseling and damage the seal.

Caution: Only a competent gunsmith should disassemble the rifle for further cleaning or maintenance.

LIMITED REPAIR WARRANTY

European American Armory Corporation air rifles are warranted to the original retail customer for 90 days from the date of purchase against factory defects in metal parts. All metal parts and labor to repair them or replacement at our option are covered. Mainsprings, seals and stock are warranted to the original retail customer for a period of 30 days from the verified purchase date against defects. Parts and labor to repair mainsprings, seals and stock will be provided for 30 days from the verified purchase date. Evidence of proof of purchase is necessary for all warranty repair service. Transportation to and from our repair facilities, damage caused by failure to perform normal maintenance, sales outside the United States, damage due to non factory lead pellets, steel shot or darts, or any unauthorized repair, modification, misuse, abuse, or alteration of the product is not covered by this Limited Repair Warranty.

Any implied warranties, including the implied warranties of merchantability and fitness for a particular purpose, are limited to 90 days from date of original retail purchase. Consequential or incidental damages and/or expenses, or any other expenses are not covered by this warranty.

To obtain warranty performance send your air gun freight pre paid with proof of retail purchase and \$10.00 for return freight to:

European American Armory Corp.
3855 North U.S. Highway One
Cocoa, Florida 32926

WARNING

Altering or modifying parts and/or safeties is dangerous and will void the warranty. This air rifle was manufactured to perform properly with the original parts as designed. It is your duty to make sure any parts you buy are made for this air rifle and are installed correctly and that neither the replacements nor originals are altered or changed. Your air rifle is a complex precision tool with many parts that must relate correctly to other parts in order for proper and safe operation. Putting an air rifle together wrong or with incorrect or modified parts can result in a damaged air rifle, serious injury or death to you and others through malfunction. Always have a qualified gunsmith work on your air rifle or at least check any work not performed by a gunsmith.

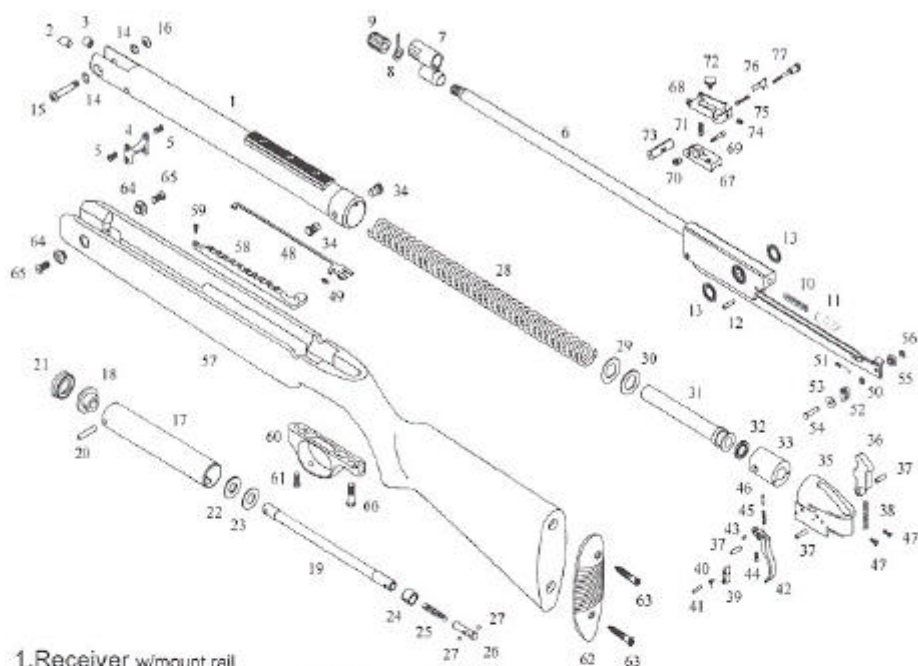
ALL PARTS ORDERS ARE SUBJECT TO A \$10.00 CHARGE FOR SHIPPING AND HANDLING. For parts and service contact: European American Armory Corp., 3855 North U.S. Highway One, Cocoa, Florida 32926 Phone: (321) 639-4842 ext. 0, e-mail: www.eaacorp@bv.net, web site: www.eaacorp.com

STATEMENT OF NON-LIABILITY

Air Rifles are not classified as firearms by the U.S. Gun Control Act of 1968. Air Rifles are not generally considered to be weapons; however, they can cause serious injury, death and property damage. Thus, they should be handled with great care. Safety is your responsibility. Neither the manufacturer, nor European American Armory Corporation, assume any responsibility for personal injury, death or property damage resulting from either intentional or accidental discharge or for the function of any air rifle subjected to influences beyond our control.

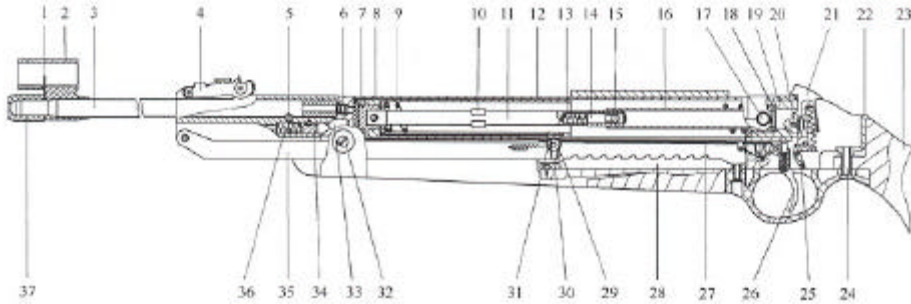
**KEEP THIS BOOKLET AND PROOF OF PURCHASE IN A SECURE LOCATION
RECORD THE SERIAL NUMBER OF YOUR AIR RIFLE IN THIS BOOKLET.**

EXPLODED VIEW & PARTS LIST MP-513M



- | | | |
|-----------------------------|------------------------------|-------------------------------|
| 1.Receiver w/mount rail | 28.Mainspring | 54.Roller pin |
| 2.Locking wedge | 29.Piston washer | 55.Roller I |
| 3.Barrel seal | 30.Piston spacer | 56.Washer |
| 4.Post | 31.Mainspring guide | 57.Stock |
| 5.Post screw | 32.Washer | 58.Blocking rack |
| 6.Barrel w/barrel extension | 33.Rear bushing | 59.Wood screw |
| 7.Front sight base | 34.Rear bushing pin | 60.Trigger guard |
| 8.Front sight | 35.Trigger mechanism housing | 61.Screw |
| 9.Front sight base nut | 36.Hammer | 62.Butt pad |
| 10.Latch spring | 37.Pivot | 63.Wood screw |
| 11.Latch | 38.Hammer spring | 64.Stock washer |
| 12.Cocking lever pivot | 39.Sear | 65.Screw |
| 13.Washer | 40.Sear spring | 66.Screw |
| 14.Washer | 41.Pin | 67.Rear sight base |
| 15.Barrel pivot | 42.Trigger | 68.Rear sight frame |
| 16.Nut | 43.Trigger insert | 69.Frame pivot |
| 17.Piston | 44.Trigger adjusting screw | 70.Frame nut |
| 18.Piston head | 45.Trigger spring | 71.Rear sight spring |
| 19.Piston rod | 46.Trigger spring plunger | 72.Elevation adjustment screw |
| 20.Piston pin | 47.Screw | 73.Rear sight plate base |
| 21.Piston seal | 48.Blocking lever | 74.Plate base screw |
| 22.Piston spacer | 49.Spring | 75.Rear sight plate spring |
| 23.Piston washer | 50.Washer | 76.Rear sight plate |
| 24.Piston rod bushing | 51.Retainer spring | 77.Windage adjustment screw |
| 25.Piston rod spring | 52.Retainer | |
| 26.Piston sear | 53.Roller II | |
| 27.Ball | | |

CROSS-SECTION & PARTS LIST MP-513M



- | | | |
|------------------------|-------------------------------|--------------------------|
| 1. Front sight | 14. Piston Sear | 26. Trigger |
| 2. Front sight base | 15. Ball | 27. Blocking lever |
| 3. Barrel | 16. Mainspring guide | 28. Blocking rack |
| 4. Rear sight | 17. Rear bushing pin | 29. Washer |
| 5. Barrel pivot | 18. Washer | 30. Retainer |
| 6. Barrel seal | 19. Rear bushing | 31. Roller |
| 7. Piston seal | 20. Screw | 32. Screw |
| 8. Piston | 21. Hammer | 33. Locking wedge |
| 9. Mainspring | 22. Trigger mechanism housing | 34. Latch |
| 10. Piston rod bushing | 23. Stock | 35. Cocking lever |
| 11. Piston rod | 24. Screw | 36. Latch spring |
| 12. Receiver | 25. Sear | 37. Front sight base nut |
| 13. Piston rod spring | | |

 **WARNING**

Children are attracted to and can operate firearms that can cause severe injuries or death.

Prevent child access by always keeping guns locked away and unloaded when not in use. If you keep a loaded firearm where a child obtains and improperly uses it, you may be fined or sent to prison.

 **ADVERTENCIA**

A los niños les atraen las armas de fuego y los pueden hacer funcionar. Ellos pueden causarse lesiones graves y la muerte.

Evite que los niños tengan acceso a las armas de fuego guardándolas siempre con llave y descargadas cuando no las esté utilizando. Si usted tiene un arma de fuego cargada en un lugar en que un niño tiene acceso a ella y la usa indebidamente, le pueden dar una multa o enviarlo a la cárcel.

Importer:

European American Armory Corp.
3855 North US Hwy. 1
Cocoa, FL 32926

Manufacturer:

Izhevsky Mekhanichesky Zavod
8, Promyshlennaya str.,
426063 Izhevsk, Russia